

MULTIPURPOSE BUTTERFLY VALVE SERIES BF



FEATURES

- High flow capacity.
- Contoured disc for lower pressure drop.
- Wafer body design for ANSI B16.5 Class 150 flanges.
- Strong, one piece molded body.
- One piece solid 410SS shaft with square drive for support and positive disc rotation.
- Full faced seat liner with integral, ribbed flanges.
- Handle with spring loaded lever for positive disc positioning and shut-off.
- Direct mounting actuator pad standard.
- Electric and pneumatic actuation packages with positioning control available.

DESIGN & MATERIALS

Valve lug body and disc are choice of PVC or polypro. Seats (liners) and O-rings are choice of EPDM or FKM. Non-wetted Parts: Oil seal is EPDM; Stem (410), gearing, spring, lever and pin are stainless steel; handle, handle lever, and other handle parts are ABS. Handle insert is FC0208. Positioner is PVC.

Maximum working pressure is 150 PSI; actual maximum pressure varies by application based on temperature, flow rate, and media.

For assistance, please consult factory.

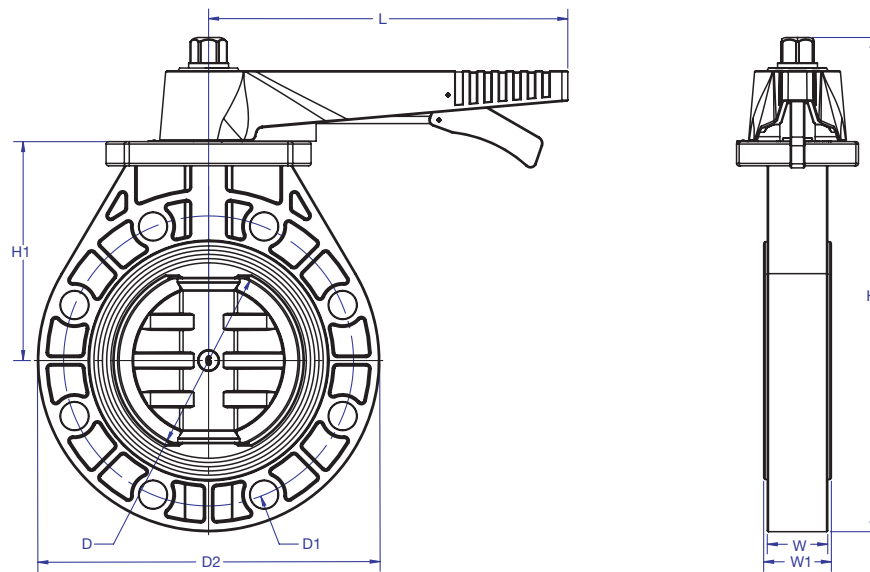


BF-0916-C1

MULTIPURPOSE BUTTERFLY VALVE SERIES BF

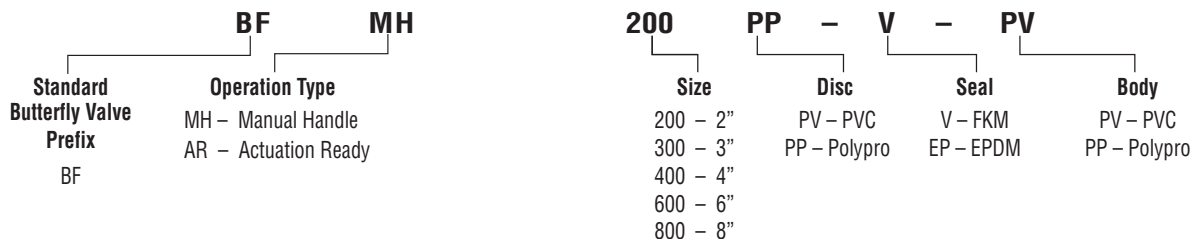
DIMENSIONS

MODEL	PIPE SIZE		NUMBER OF HOLES	D		D1		D2		L		H		H1		W		W1	
	IN.	DN		IN.	MM.	IN.	MM.	IN.	MM.	IN.	MM.	IN.	MM.	IN.	MM.	IN.	MM.	IN.	MM.
BFMH200	2"	50	4	2.16	54.9	4.84	122.9	6.46	164.1	8.03	204.0	9.92	252.0	4.21	106.9	1.50	0.7	1.61	0.7
BFMH300	3"	80	4	3.07	78.0	5.97	151.6	7.72	196.1	8.03	204.0	11.18	284.0	4.84	122.9	1.65	0.7	1.77	0.8
BFMH400	4"	100	8	3.94	100.1	7.16	181.9	8.85	224.8	9.96	253.0	12.60	320.0	5.49	139.4	1.89	0.9	2.00	0.9
BFMH600	6"	150	8	5.98	151.9	9.44	239.87	11.26	286.0	11.69	296.9	16.02	406.9	7.00	177.8	2.20	1.0	2.13	1.0
BFMH800	8"	200	8	7.87	199.9	11.70	297.2	13.54	343.9	11.69	296.9	18.50	469.9	8.35	212.1	2.40	1.1	2.52	1.1



TORQUE VALUES

Pipe Size	W/O Pressure				Pressure at 50 PSI				Pressure at 100 PSI				Pressure at 150 PSI			
	ft-lbs		Kgf.m		ft-lbs		Kgf.m		ft-lbs		Kgf.m		ft-lbs		Kgf.m	
	Open	Close	Open	Close	Open	Close	Open	Close	Open	Close	Open	Close	Open	Close	Open	Close
2"	5.78	5.78	0.80	0.80	5.78	7.23	0.80	1.00	5.78	7.23	0.80	1.00	7.23	7.23	1.00	1.00
3"	18.08	18.08	2.50	2.50	21.69	21.69	3.00	3.00	18.08	18.08	2.50	2.50	21.69	21.69	3.00	3.00
4"	18.08	21.69	2.50	3.00	21.69	21.69	3.00	3.00	21.69	21.69	3.00	3.00	21.69	21.69	3.00	3.00
6"	57.84	65.07	8.00	9.00	57.84	57.84	8.00	8.00	54.23	57.84	7.50	8.00	43.38	50.61	6.00	7.00
8"	72.30	79.53	10.00	11.00	79.53	79.53	11.00	11.00	75.92	75.92	10.50	10.50	68.69	68.69	9.50	9.50



BF-0916-C2