

PROCESS COOLING WATER STICK RETURN SIDE

BALL VALVE VERSION



Shown with optional tridicator (pressure & temperature) gauge.

DIAPHRAGM VALVE VERSION



STANDARD FEATURES:

- Choice of diaphragm valve or ball valve, same price.
- No corrosion, no maintenance.
- Choice of true unions or custom end connectors.
- Molded, machined and assembled in USA.
- 100% tested at the factory.
- Lower cost and smaller footprint than individually assembled sticks.
- Easily adapts to any piping configuration.

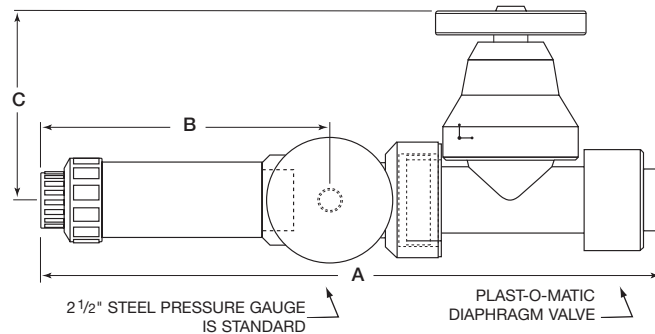
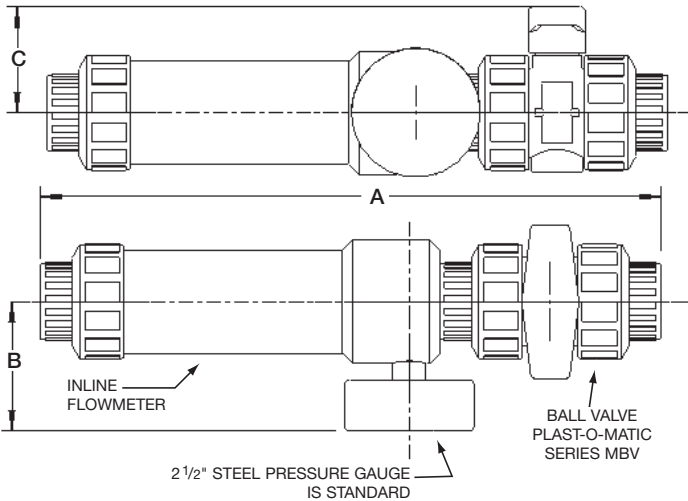
CUSTOM STICKS:

Can be designed and built to any configuration orientation. Valves, gauges, meters and other components can be customized for any application.

DESIGN:

Incorporates quarter-turn True Blue trunion ball valve, pressure and temperature gauge, and in-line flow meter with visual indicators in a small footprint stick. Gauge face and flow meter are aligned for quick, at-a-glance reading. Stick is reinforced to minimize possibility of damage. A variety of end connectors and

custom valve combinations can be specified. Wetted metals on gauge (brass) and flow meter (T300 Stainless). Flow meter range must be specified. Ball valve can be actuated (requires 90° change in orientation to gauge & meter). All units built in USA and individually tested.



BALL VALVE							
DIMENSIONS & MODEL NUMBERS							
Pipe Size	Part No. Prefix	A		B		C	
		IN.	MM	IN.	MM	IN.	MM
1/2"	PCWR050B	13 1/8	333	3	76	2	51
3/4"	PCWR075B	13 5/8	347	3 1/4	83	2 1/2	64
1"	PCWR100B	14 1/2	369	3 1/4	83	3	77

Preliminary dimensions, subject to change. 1 1/2" and 2" sizes available, consult factory. Pressure gauge standard; dual pressure and temperature gauge optional.

DIAPHRAGM VALVE							
DIMENSIONS & MODEL NUMBERS							
Pipe Size	Part No. Prefix	A		B		C	
		IN.	MM	IN.	MM	IN.	MM
1/2"	PCWR050D	14 1/8	358	3	76	2	51
3/4"	PCWR075D	14 5/8	372	3 1/4	83	2 1/2	64
1"	PCWR100D	15 1/2	394	3 1/4	83	3	77

ORDERING INFORMATION

Order by part number and specify exact chemicals, temperatures and pressures. To arrive at the proper part number, please consult diagram below. *The letters and numbers used in this part number are for example only!*

PROCESS COOLING WATER RETURN	VALVE PIPE SIZE 050 1/2" 075 3/4" 100 1"	SEAL MATERIAL V FKM EP EPDM	BODY MATERIAL -PV Polyvinyl Chloride (PVC)			
				SPECIAL DESIGNATION When "X" appears in this spot, it designates BSP threads.	VALVE B Ball Valve D Diaphragm Valve	CONNECTIONS S Socket Ends T Threaded Ends Spigots and other connection types available.

MUST SPECIFY FLOW RANGE FOR PROPER FLOW METER.
FOR CUSTOM VALVE AND END CONNECTOR COMBINATIONS, CONSULT FACTORY.