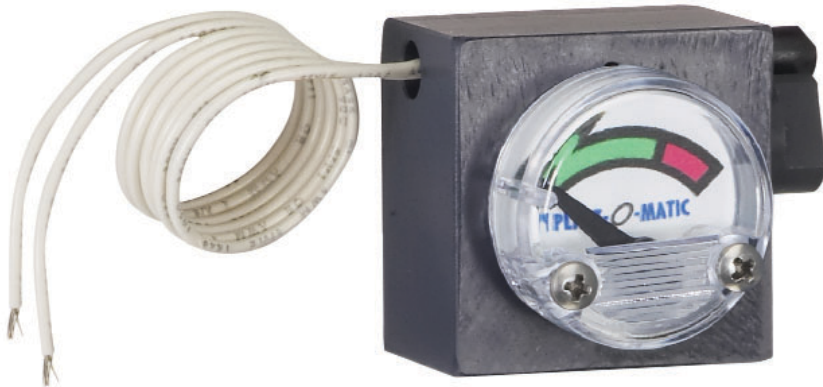


DIFFERENTIAL PRESSURE INDICATORS SERIES DPI/DPIS

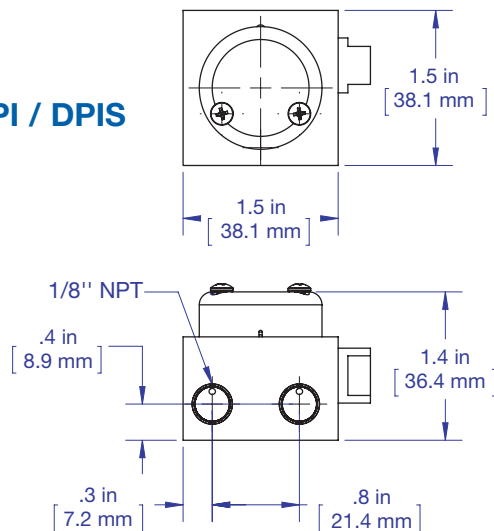


DIFFERENTIAL PRESSURE INDICATORS

Series DPI: Compact Differential Pressure Indicator
Series DPIS: Compact Differential Pressure Indicator/Switch

- Clear indication of filter performance
- Compact, economical, reliable
- 1/8" FNPT Connections
- Choice of 0-15 PSID or 0-30 PSID Gauge; accuracy is $\pm 5\%$ FS
- Corrosion-resistant thermoplastic connections; PVC or CPVC
- EPDM or FKM elastomers
- No wetted metal parts.
- Made in USA

DPI / DPIS



Plast-O-Matic differential pressure indicators are designed to show at a glance if maximum filter pressure has been exceeded. Maximum line pressure rating is 150 PSI.

SERIES DPI / DPIS

Connection Size	Gauge Range		Gauge Size	Switch	PVC Model Number
	PSID	BAR			
1/8"	0-15	0-1	1"	None	DPI125V-PV-15-1
1/8"	0-30	0-2	1"	None	DPI125V-PV-30-1
1/8"	0-15	0-1	1"	SPST - Normally Open	DPIS125V-PV-15-A-1
1/8"	0-15	0-1	1"	SPST - Normally Closed	DPIS125V-PV-15-B-1
1/8"	0-15	0-1	1"	SPDT	DPIS125V-PV-15-C-1
1/8"	0-30	0-2	1"	SPST - Normally Open	DPIS125V-PV-30-A-1
1/8"	0-30	0-2	1"	SPST - Normally Closed	DPIS125V-PV-30-B-1
1/8"	0-30	0-2	1"	SPDT	DPIS125V-PV-30-C-1

Notes - Body and Seal Materials: All part numbers shown are PVC bodies with FKM (Viton) seals. For CPVC bodies, change "-PV" to "-CP". For EPDM seals, change first "V" to "EP". For example, DPI125V - becomes DPI125EP.

Switch rating is 125V AC, 0.7 amps.