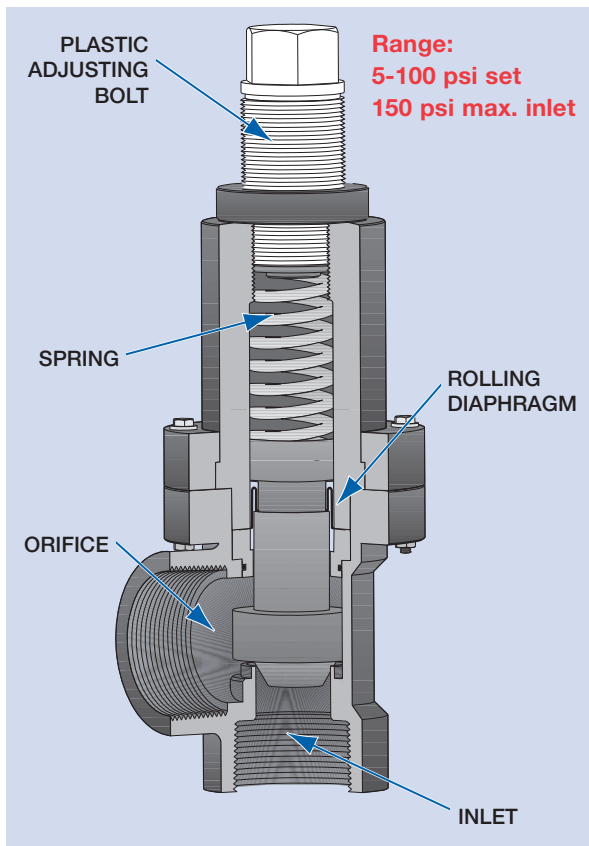


SERIES RVTX • Rolling Diaphragm Design



a super-high performance 3" relief valve



Features:

- Large area rolling diaphragm provides precise, sensitive operation.
- Ideal for use with liquids that crystallize.
- Heavy-duty industrial construction.
- Angle pattern offers compact size and convenient piping.
- 3" pipe size.
- No wetted metal parts.

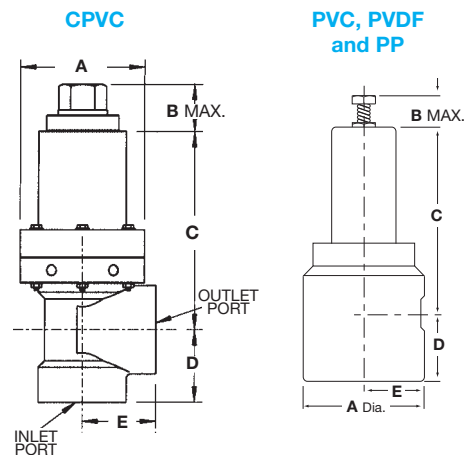
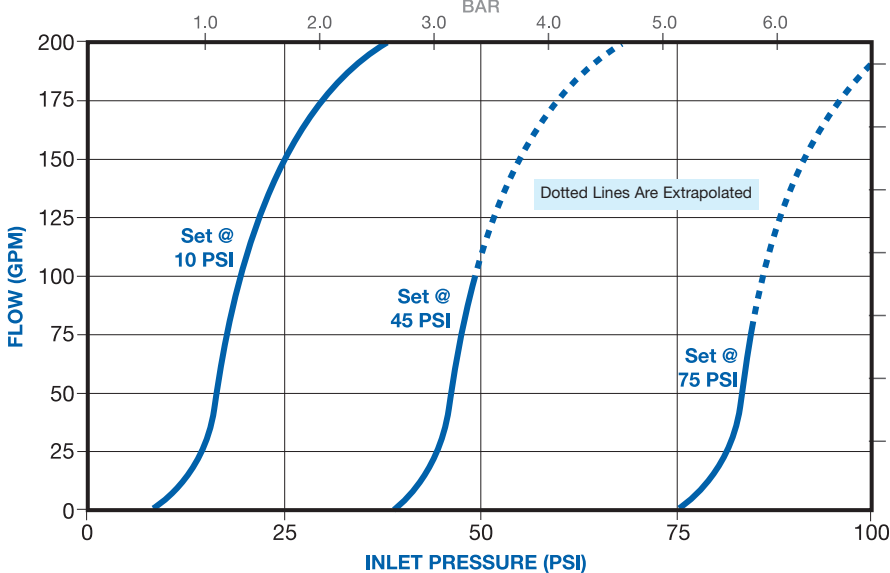
Design:

Series RVTX angle pattern pressure relief valve features a solid, PVC shaft with a PTFE thrust washer for reduced friction, working in conjunction with a large area rolling diaphragm. This high flow capacity relief valve provides rugged dependability for acids, salt solutions, and other highly corrosive liquids. Relief setting is infinitely adjustable from 5 psi to 100 psi. Maximum inlet pressure is 150 psi. Not recommended for applications with a vacuum on the outlet.

Materials of Construction:

Available in PVC. Thrust washer is PTFE. Seals are available in EPDM and FKM (Viton®). For other body or seal materials, consult factory. The valve adjusting bolt and lock nut are high density polyethylene. The control spring is plated steel. The fasteners are stainless steel. No metal parts are in contact with liquid.

Series RVTX Flow Characteristics



Series RVTX Dimensions

	CPVC		PVC, PP & PVDF	
	in.	mm.	in.	mm.
A	6.0	152.4	7.0	177.8
B	2.3	58.4	4.5	114.3
C	9.6	243.8	9.8	248.9
D	3.5	88.9	3.8	96.5
E	3.6	91.4	3.5	88.9

Series RVTX Model Numbers

PIPE SIZE	EPDM Model No.	FKM Model No.
3"	RVTX300EP-PV	RVTX300V-PV

For CPVC, change -PV to -CP, example RVTX300V-CP.
For Polypro, change -PV to -PP, example RVTX300V-PP.

EVERY PLAST-O-MATIC VALVE IS INDIVIDUALLY TESTED PRIOR TO SHIPMENT.