

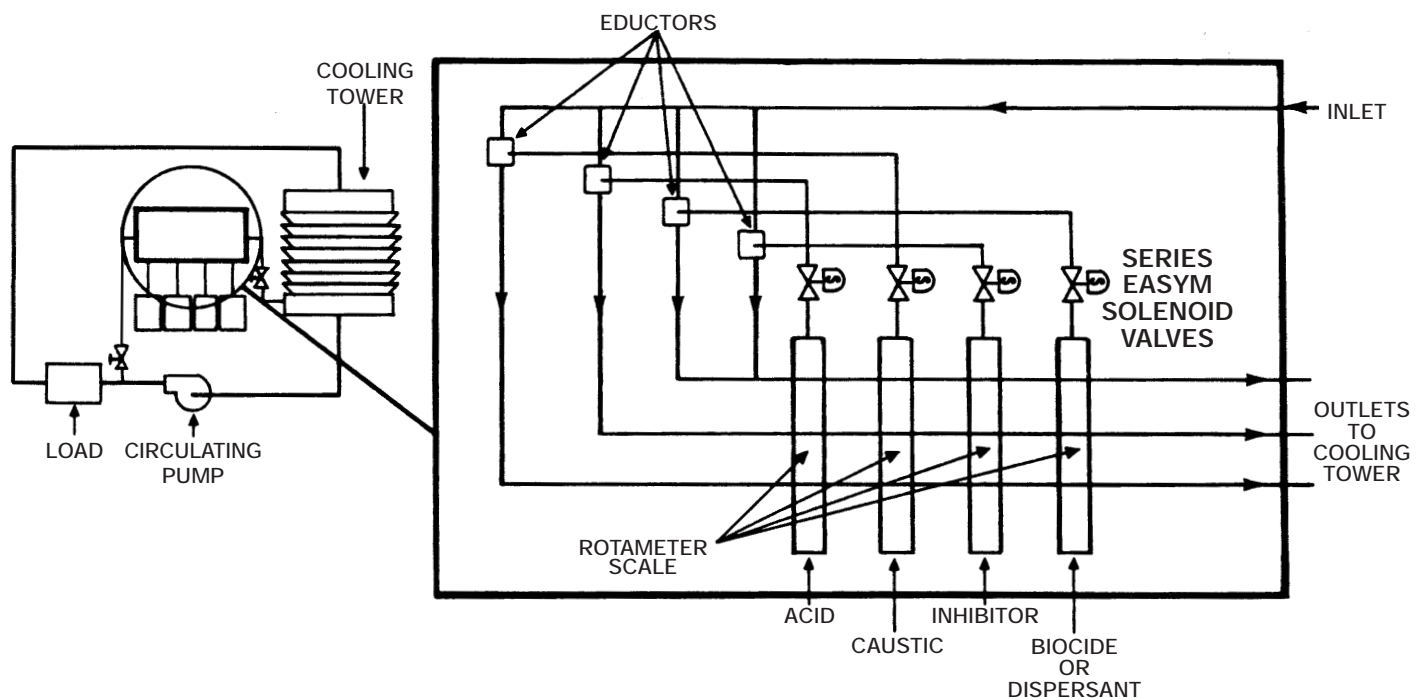
MARKET Chemical Feed – Water Treatment – Cooling Towers

PRODUCT(S) Series EASYM2V8E20-PV Solenoid Valves

REQUIREMENT To provide for on/off control of chemical feed under vacuum.

PROCESS FLUID(S) Inhibitors, Biocides, Dispersants, Acids, Caustics, etc.

INLET PRESSURE/TEMPERATURE Vacuum / Ambient



Recirculating water from cooling towers enters the inlet side of the eductor under pressure 20 PSI minimum, 100 PSI maximum. The eductor nozzle increases the velocity of the water and produces a vacuum which draws the chemical through the Series EASYM Solenoid Valve(s) into the suction chamber of the eductor and mixes it with water.

The mixed fluids then exit the eductor and are fed into the cooling tower. The EASYM Solenoid Valves provide the critical on/off operation for the chemical flow, the rate of which is controlled by a needle valve placed in the suction line and read off the rotameter scale. Additional chemical lines can be added to the system if required.