

MARKET Printed Circuit Board (PCB)

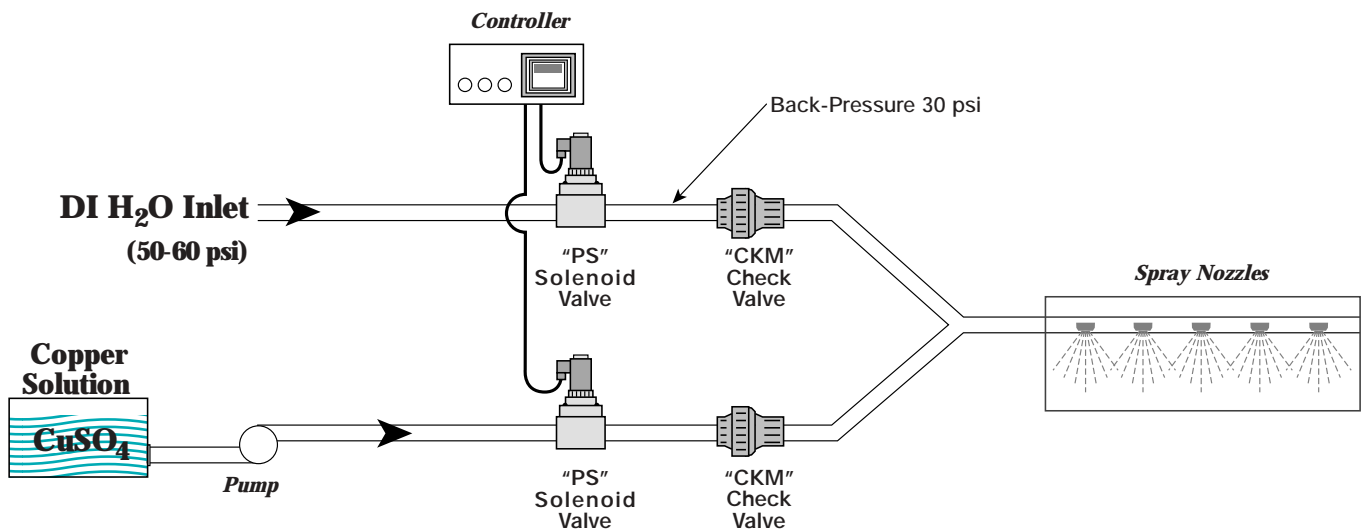
PRODUCT(S) Series "PS" Pilot Operated Solenoid Valve, #PS050VW11-PV

Series "CKM" Molded Check Valve, #CKM050V-PV

REQUIREMENT To provide electric, automatic, rapid, bubble-tight shut-off of corrosive chemicals and DI water in feed lines supplying nozzles on an open spray bar.

PROCESS FLUID(S) Copper Sulfate / DI Water

INLET PRESSURE/TEMPERATURE 60 PSI / Ambient



Customer required fast-acting, bubble-tight sealing, fail-safe (normally-closed) electric actuated valves. The customer did not want electrically actuated ball valves but was concerned with direct-acting solenoid valves due to his back-pressure levels. Series "PS" Pilot-Operated Solenoids were chosen due to their high flow and back pressure (70 PSI) capabilities. The customer also elected to install normally-closed "CKM" Check Valves as an additional layer of safety/redundancy.