



### SERIES EBVC / TEBVC HEAVY DUTY ON/OFF ACTUATOR



#### STANDARD FEATURES

- Choice of voltage: 24V AC, 24V DC, 110V AC, 240V AC
- Ultra-fast working time
- Manual override for emergency hand operation
- 2 volt free end of travel confirmation switches
- Basic circuit board with replaceable fuses
- IP65 weatherproof anti-corrosive and UV protected housing
- Local visual position indicator
- Easy mounting with double-D drive
- All external electrical connections via DIN plugs
- CE marked

The EBVC/TEBVC features a rugged weatherproof and anti-corrosive polyamide housing. A visual indicator shows the position clearly. Selectable manual override and two volt free end of travel confirmation switches are also included as standard features.

The EBVC/TEBVC is quick and easy to install, with a double-D drive, allowing fast mounting to True-Blue valves. There is no need to remove the cover to connect the EBVC/TEBVC electrically, saving installation time. Using the external DIN plugs and external wiring diagrams supplied with the actuator, installation can be pre-wired.

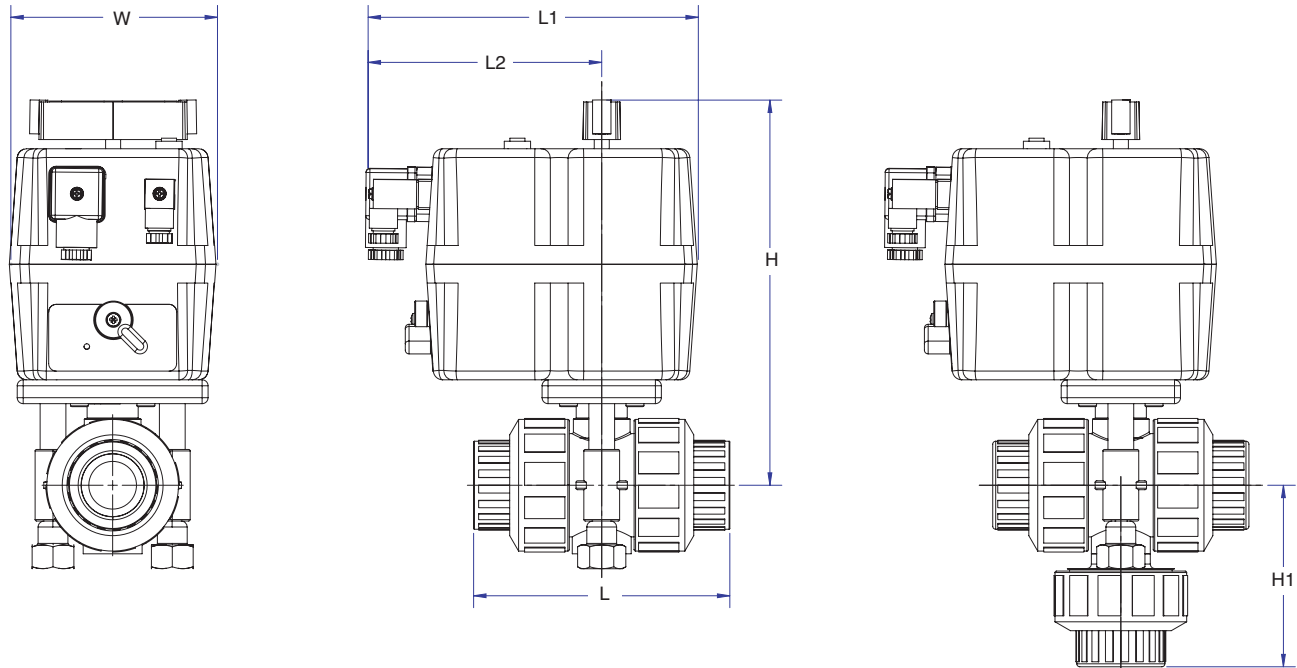
### SERIES EBVC / TEBVC HEAVY DUTY ON/OFF ACTUATOR

SPECIFICATIONS				
Sizes Actuator	3/8" - 2" VALVES			
	EBVC01	EBVC02	EBVC03	EBVC04
Voltage	110 AC	240 AC	24 DC	24 AC
Working Time - Sec. 0-90° (No Load) ±10%	4.8	5.7	4.5	4.5
Maximum Run Torque Nm / in./lbs.	20/177	20/177	20/177	20/177
Maximum Break Torque Nm / in./lbs.	25/221	25/221	25/221	25/221
On/Off Duty Rating %	75	75	75	75
IP Rating - IEC 60529	IP65	IP65	IP65	IP65
Working Angle Standard	90	90	90	90
Temperature Range (F)	-4° to +158°	-4° to +158°	-4° to +158°	-4° to +158°
Volt Free End of Travel Confirmation	2 X SPDT	2 X SPDT	2 X SPDT	2 X SPDT
Current Full Load <b>INRUSH CURRENT IS 1.5X THE STATED LOAD</b>	0.36 AMP	0.49 AMP	24 VDC @ 1.02 AMP	24 VAC @ 1.38 AMP
Weight (lbs)	3.9	3.9	3.9	3.9
Drive	Double-D	Double-D	Double-D	Double-D

APPROXIMATE FLOW RATES AT 1.0 PSI (0,07 Bar) PRESSURE DROP						
Valve Sizes	1/2"	3/4"	1"	1 1/4"	1 1/2"	2"
Cv Factor	10	20	40	80	100	120



### SERIES EBVC / TEBVC HEAVY DUTY ON/OFF ACTUATOR



#### DIMENSIONS

MODEL	SIZE		L		L1		L2		H		H1		W	
	IN.	DN	IN.	MM.	IN.	MM.	IN.	MM.	IN.	MM.	IN.	MM.	IN.	MM.
EBVC01-050EPT-PV	1/2"	20	4.13	104.8	6.97	177.0	4.89	124.2	8.16	207.3	2.75	69.9	4.34	2.0
EBVC01-075EPT-PV	3/4"	25	4.75	120.7	6.97	177.0	4.89	124.2	8.59	218.2	3.25	82.6	4.34	2.0
EBVC01-100EPT-PV	1"	32	5.38	136.5	6.97	177.0	4.89	124.2	8.84	224.5	3.81	96.8	4.34	2.0
EBVC01-125EPT-PV	1-1/4"	40	6.70	170.2	6.97	177.0	4.89	124.2	9.32	236.7	5.00	127.0	4.34	2.0
EBVC01-150EPT-PV	1-1/2"	50	6.75	171.5	6.97	177.0	4.89	124.2	8.84	236.7	5.00	127.0	4.34	2.0
EBVC01-200EPT-PV	2"	63	7.90	200.7	6.97	177.0	4.89	124.2	8.84	236.7	5.56	141.2	4.34	2.0

**Voltage:** Part numbers shown are for 110V actuator. for 240 volt change EBVC01 to EBVC02.  
For 24V DC change EBVC01 to EBVC03. For 24V AC change EBVC01 to EBVC04.

**Seals:** Part numbers shown with EPDM seals. For FKM seals, change EP to V.  
Example: EBVC01-050VT-PV.

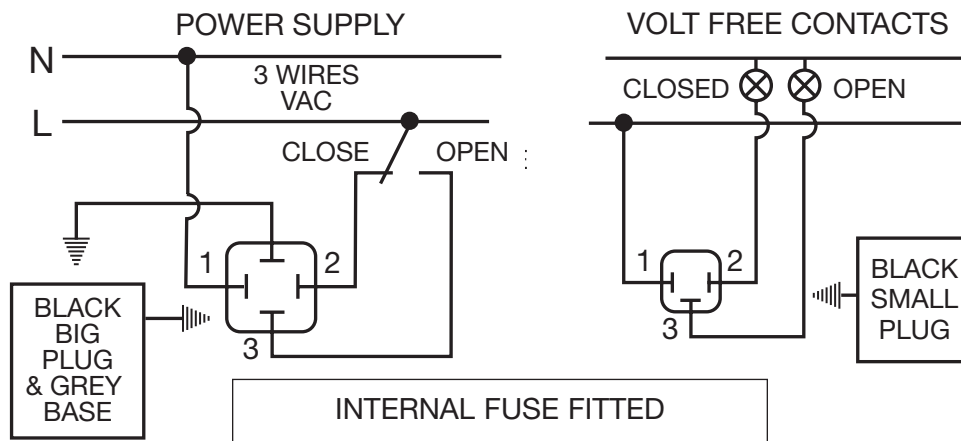
**Connection Types:** Part numbers shown with NPT thread. For socket, change T to S.  
Example: EBVC01-050VS-PV. For Flange, change to FL; Spigot, change to SP.  
For metric spigot, change size to DN. Example: EBVC01-20VSP-PV. For Sanitary, change to SC.

**Materials:** Part numbers shown with PVC. For CPVC, change suffix to -CP.  
Example: EBVC01-050VT-CP. For Polypro, change to -PP. for PVDF, change to -PF.

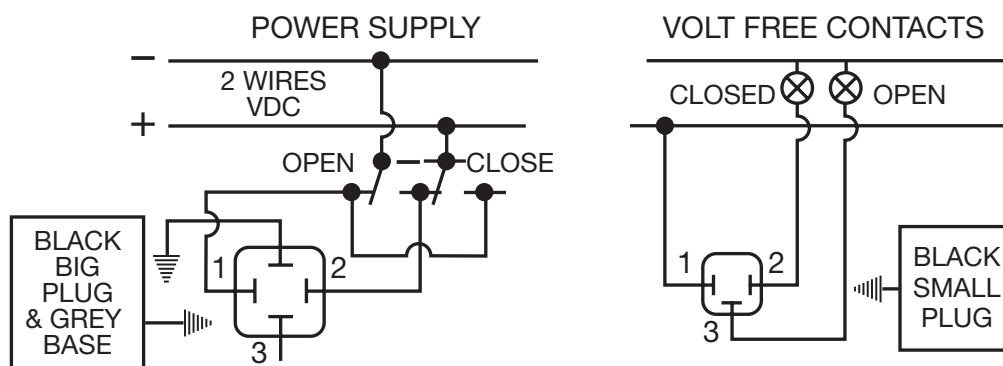
**TEBVC:** Consult factory for 3-way models.

### SERIES EBVC / TEBVC EXTERNAL SCHEMATIC DIAGRAM / ELECTRIC WIRING

#### AC WIRING DIAGRAM



#### DC WIRING DIAGRAM



MAX. RATING  
125 VAC - 5A  
240 VAC - 3A