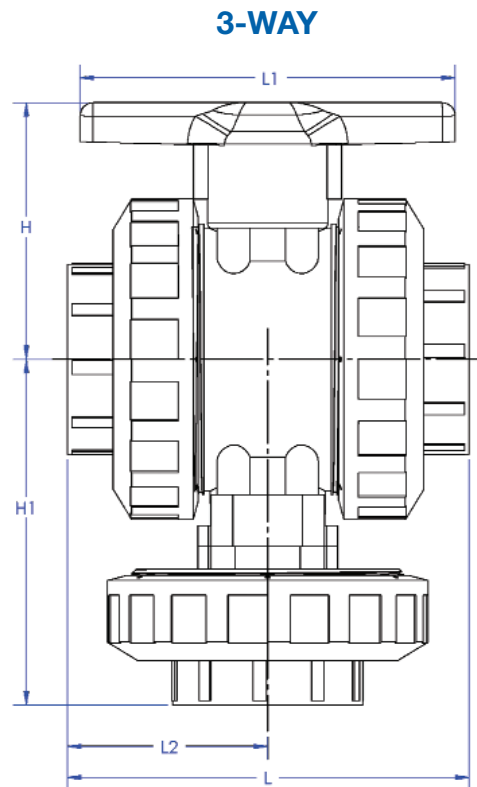
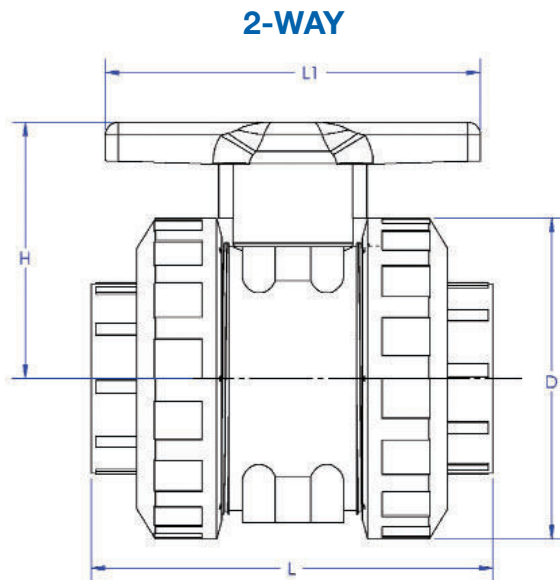


SERIES "MBV" 2-WAY & 3-WAY TRUE UNION MANUAL BALL VALVES 3" & 4" SIZES

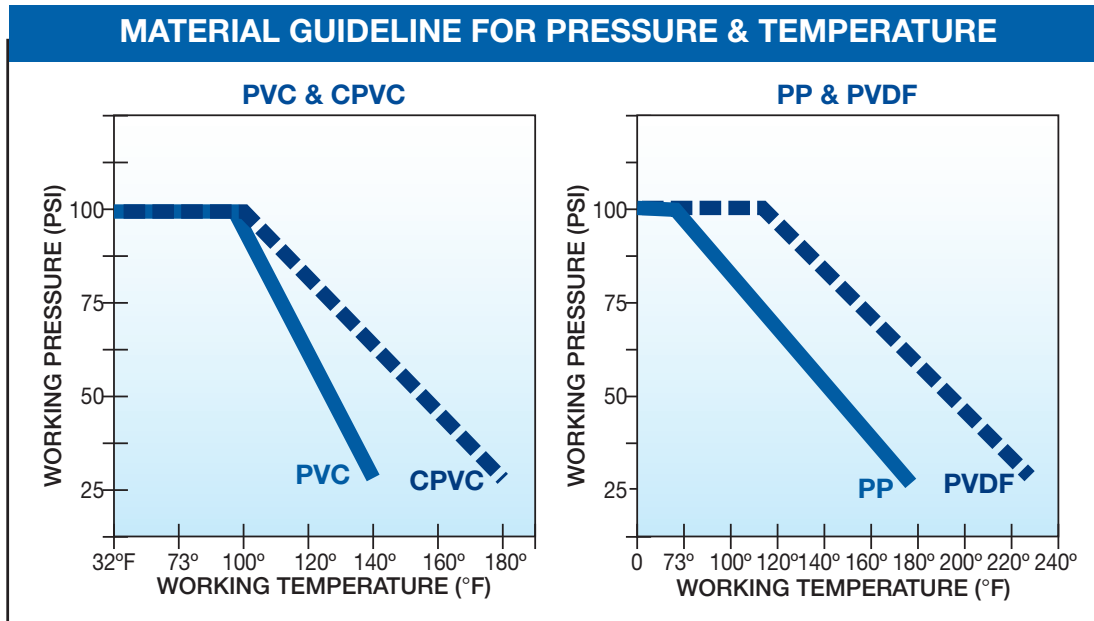
FEATURES:

- Full port.
- Bi-directional flow.
- Low maintenance and extended operational life.
- Handle equipped as a spanner device to adjust carrier.
- PTFE seat energized by O-ring.
- Ball machined and tumbled to ensure roundness.
- Special mounting pads are molded on body for actuator mounting or valve anchoring.
- Blow-out proof stem.
- Safety shear stem design.
- Double O-ring seal on stem.



DIMENSIONS

MODEL	PIPE SIZE	L		L1		L2		D		H		H1	
		IN	MM	IN	MM	IN	MM	IN	MM	IN	MM	IN	MM
MBV/TMBV300	3"	10.8	274.7	8.8	223.5	5.4	137.4	7.2	182.9	6.8	172.4	8.3	210.3
MBV/TMBV300	4"	11.5	291.3	10.8	274.3	5.7	145.6	9.2	233.6	7.3	185.4	9.9	251.8



MATERIALS OF CONSTRUCTION:

- PVC:** Class 1245B per ASTM D1784
- CPVC:** Class 1245B per ASTM D1784
- PP:** Class PP 110B76383 per ASTM D4101
- PVDF:** Type 1 per ASTM D3222
- Seals:** EPDM or FKM
- Seats:** PTFE

ORDERING INFORMATION					
2-Way Valve Size	Cv Factor	PVC Model #	CPVC Model #	Polypro Model #	PVDF Model #
3", 2-way	490	MBV300VT-PV	MBV300VT-CP	MBV300VT-PP	MBV300VT-PF
4", 2-way	770	MBV400VT-PV	MBV400VT-CP	MBV400VT-PP	MBV400VT-PF
3 Way Valve Size	Cv Factor	PVC Model #	CPVC Model #	Polypro Model #	PVDF Model #
3", 3-way		TMBV300VT-PV	TMBV300VT-CP	N/A	N/A
4", 3-way		TMBV400VT-PV	TMBV400VT-CP	N/A	N/A

NOTES:

1. Model numbers shown are with FKM (Viton) seals. For EPDM seals, change the second "V" to "EP"
2. Model numbers shown are with threaded connections. For socket connections, change the "T" to "S"