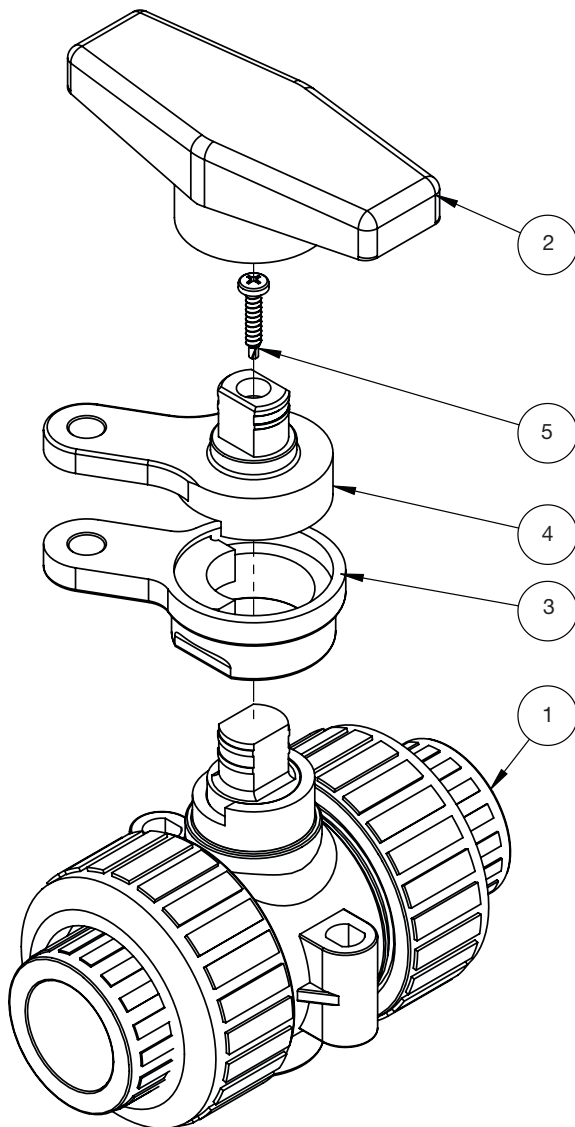


LOCKOUT / TAGOUT BALL VALVE



ASSEMBLY INSTRUCTIONS:

- If field retrofit, remove handle (item #2) from ball valve.
- First, with handle removed from valve, place the lower hasp (item #3) over the valve shaft and press down until it snaps onto ball valve shoulder.
- Second, align and press the upper hasp (item #4) onto the valve shaft. Screw the self-tapping fastener (item #5) through the hole on top of the upper hasp, firmly into the MBV shaft to secure the assembly.
- Finally, press the valve handle onto the upper hasp.
- The lockout assembly is now complete; turn handle to confirm smooth operation. Install OSHA approved lock to fix valve in closed position.

ITEM NO.	DESCRIPTION	QTY.
1	BALL VALVE	1
2	HANDLE	1
3	LOCKOUT, LOWER HASP	1
4	LOCKOUT, UPPER HASP	1
5	DRILLING SCREW, PAN HEAD, #6-20 X 3/4"	1