

SANITARY CONNECTIONS

Plast-O-Matic is now providing factory installed sanitary connections on a number of high purity valves and piping products.



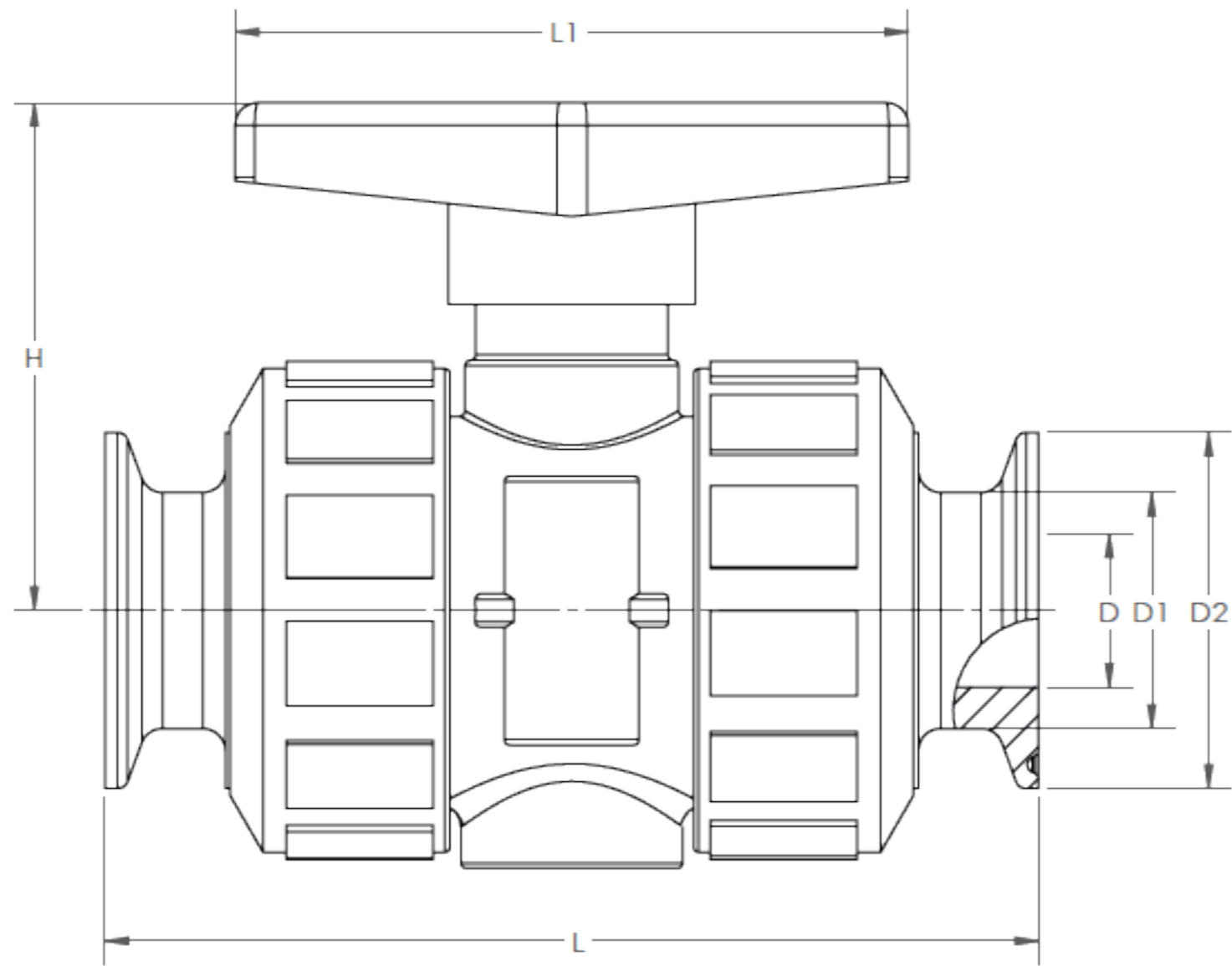
These optional connections are typically offered on . . .

- Ball Valves
- Pressure Regulators
- Relief/Backpressure Valves
- Diaphragm Valves
- Check Valves



Precision CNC machining and 100% testing ensures the clean, leak-free connections required with "tri-clamp" or "tri-clover" fittings. If you have an application that utilizes sanitary connections, we invite you to contact our Technical Group in Cedar Grove for pricing and availability at [973-256-3000](tel:973-256-3000) or info@plastomatic.com

PLAST-O-MATIC
VALVES, INC.



SIZE	L		L1		H		D		D1		D2	
	IN.	MM.	IN.	MM.	IN.	MM.	IN.	MM.	IN.	MM.	IN.	MM.
1/2" MINI	4.73	120.1	3.13	79.5	1.87	47.5	.560	14.2	.750	19.1	.992	25.2
3/4" MINI	4.86	123.4	3.75	95.3	2.63	66.8	.560	14.2	.750	19.1	.992	25.2
1" MAXI	5.20	132.1	3.75	95.3	2.63	66.8	.856	21.7	1.106	28.1	1.500	38.1
1" LADISH	5.80	147.3	3.75	95.3	2.63	66.8	.856	21.7	1.315	33.4	1.984	50.4
1-1/2"	7.25	184.2	4.50	114.3	3.50	88.9	1.356	34.4	1.606	40.8	1.984	50.4
2"	7.25	184.2	4.50	114.3	3.50	88.9	1.856	47.1	2.106	53.5	2.516	63.9