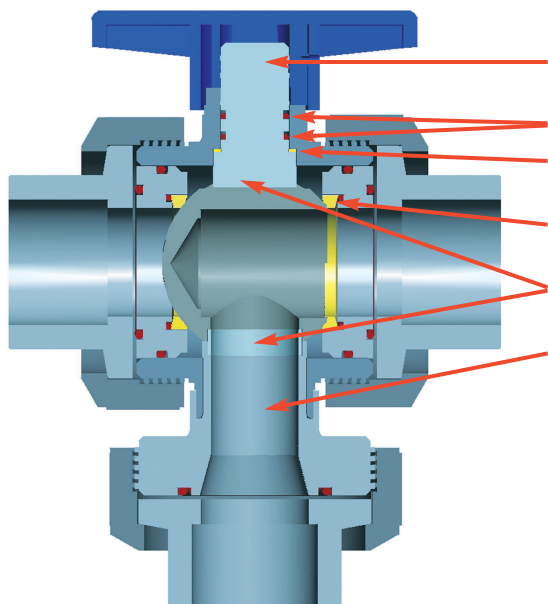


### SERIES TMBV 3-WAY MANUAL BALL VALVES AN ENGINEERED MULTIPLE UNION BALL VALVE FOR APPLICATIONS REQUIRING TWO INLETS, TWO OUTLETS, SAMPLING OR DIVERTING



#### FEATURES:

- Heavy-duty, large diameter shaft to eliminate flexing and breakage.
- Dual shaft seals eliminate leakage.
- PTFE bearing on shaft eliminates friction and wear; stem design is “blow-out” proof.
- PTFE seats energized with O-rings eliminate wear and improve cycle life.
- Trunnion design eliminates lateral ball stress and allows downstream piping to be disconnected under full line pressure.
- Smooth flow path minimizes pressure loss.
- Fully concentric and mirror polished ball assures smooth, leakproof operation.
- Three true-union ends for ease of piping installation and removal; helps lower costs and reduce footprint.
- Choice of 2-hole or 3-hole ball.

*Each valve is 100% individually inspected and tested prior to shipment.*

#### DESIGN:

Known as “The Engineered Ball Valve”, Series TMBV provides more features than any other thermoplastic ball valve. With its mirror-polished ball, perfectly machined sealing surfaces, Trunnion centering design, PTFE thrust bearing and O-ring loaded floating PTFE seats, the True Blue three-way ball valve offers smooth turning even in difficult applications. The floating seats automatically compensate for seat wear, and after long-term cycling, the carriers can easily be returned to their original position simply by tightening the union nuts. The 2-hole ball design is standard; it is ideal for applications where flow cannot be mixed. To prevent a momentary no-flow (“dead-head”) condition, an optional 3-hole ball is available. Please specify when ordering.

The top to bottom “Trunnion” design permits flow and pressure in either direction, and eliminates the stresses inherent to a ball secured only at the top. An ultra smooth flow path virtually eliminates turbulence and pressure loss and permits flow rates that far exceed pipe manufacturers specifications.

#### MATERIALS OF CONSTRUCTION

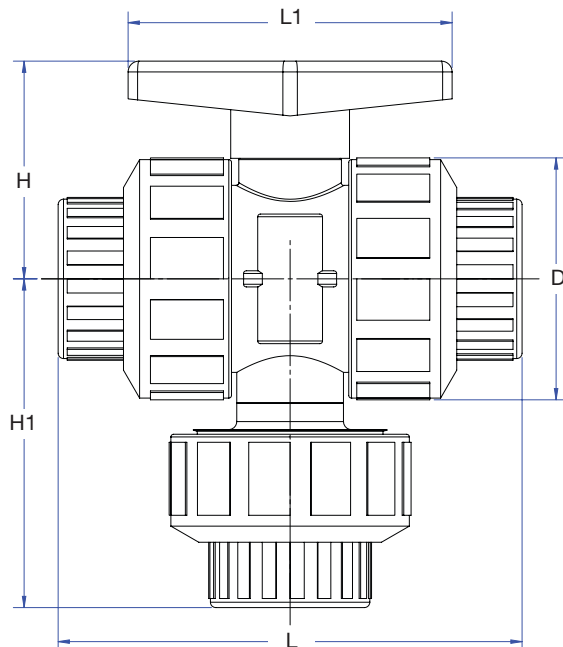
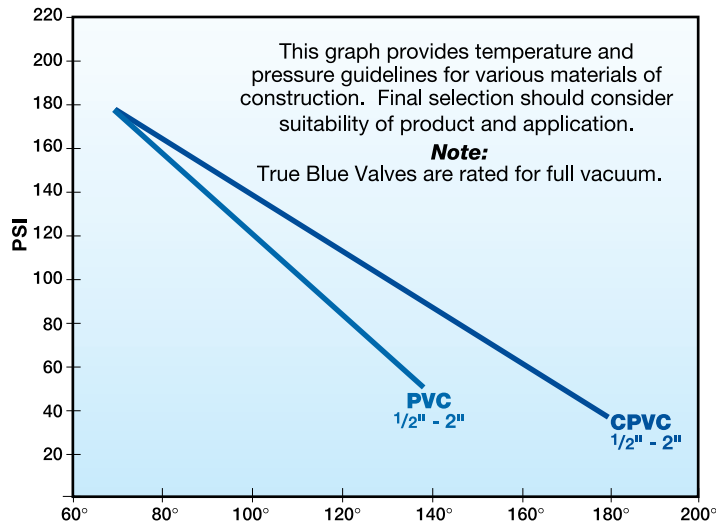
Series TMBV is molded of Type 1 Grade 1 Geon® PVC or Corzan® CPVC. Standard O-ring seals are FKM or EPDM. Seats and shaft bearings are PTFE. Standard connections are threaded (NPT or BSP) or socket (Schedule 80 or Metric). For optional materials and connections, please consult factory.



TMBV PVC and CPVC body types certified to NSF/ANSI 61 and NSF/ANSI 372

TMBV-1017-C-1

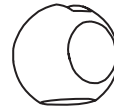
### MATERIAL GUIDELINE FOR PRESSURE AND TEMPERATURE



### FLOW CHARACTERISTICS DURING CYCLING

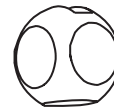
#### BALL STYLE

#### 2-HOLE STANDARD



During cycling, the standard 2-hole ball has a momentary dead-head when the ball outlet is between ports.

#### 3-HOLE OPTION

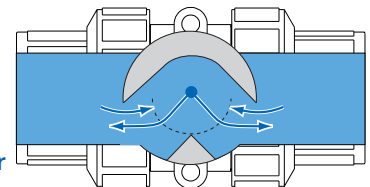
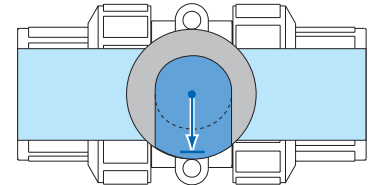


Add "-A" to Part Number

During cycling, the optional 3-hole ball has a momentary mixing of streams when the ball outlet is between ports. This option should be specified if a brief interruption of flow will be detrimental to your process.

#### TOP VIEW

Flow from bottom, center



### ORDERING INFORMATION

SIZE	SEAL	PVC PART #	CV FACTOR FLOW RANGE @1.0PSI (0,07 BAR) PRESSURE DROP	TORQUE SPECIFICATIONS IN. - LBS.
1/2"	EPDM	TMBV050EPT-PV	4.0	25
3/4"	EPDM	TMBV075EPT-PV	8.0	35
1"	EPDM	TMBV100EPT-PV	13.0	45
1 1/4"	EPDM	TMBV125EPT-PV	38.0	70
1 1/2"	EPDM	TMBV150EPT-PV	38.0	70
2"	EPDM	TMBV200EPT-PV	39.0	70

**NOTE #1:** A two (2) hole ball is standard with 180° uni-directional rotation. To prevent a momentary no-flow (dead-heading) condition during cycling, a three (3) holed ball is available. Add -A to end of part number. **NOTE #2:** End connections must be specified. **NOTE #3:** Model numbers listed are for "threaded" end connectors. For "socket" change the "T" in the model number to "S". For FKM seals, change EP to V. for CPVC body, change -PV to -CP.

### DIMENSIONS

MODEL	SIZE		L		L1		H		H1		D	
	IN.	DN	IN.	MM.	IN.	MM.	IN.	MM.	IN.	MM.	IN.	MM.
TMBV050	1/2"	20	4.13	104.9	3.13	79.5	1.87	47.5	2.75	69.9	2.00	50.8
TMBV075	3/4"	25	4.75	120.7	3.75	95.3	2.63	66.8	3.25	82.50	2.50	63.5
TMBV100	1"	32	5.38	136.5	3.75	95.3	2.63	66.8	3.81	96.8	2.84	72.1
TMBV125	1-1/4"	40	6.70	170.2	4.50	114.3	3.50	88.9	5.00	127.0	4.08	103.6
TMBV150	1-1/2"	50	6.75	171.5	4.50	114.3	3.50	88.9	5.00	127.0	4.08	103.6
TMBV200	2"	63	7.90	200.7	4.50	114.3	3.50	88.9	5.56	141.2	4.08	103.6