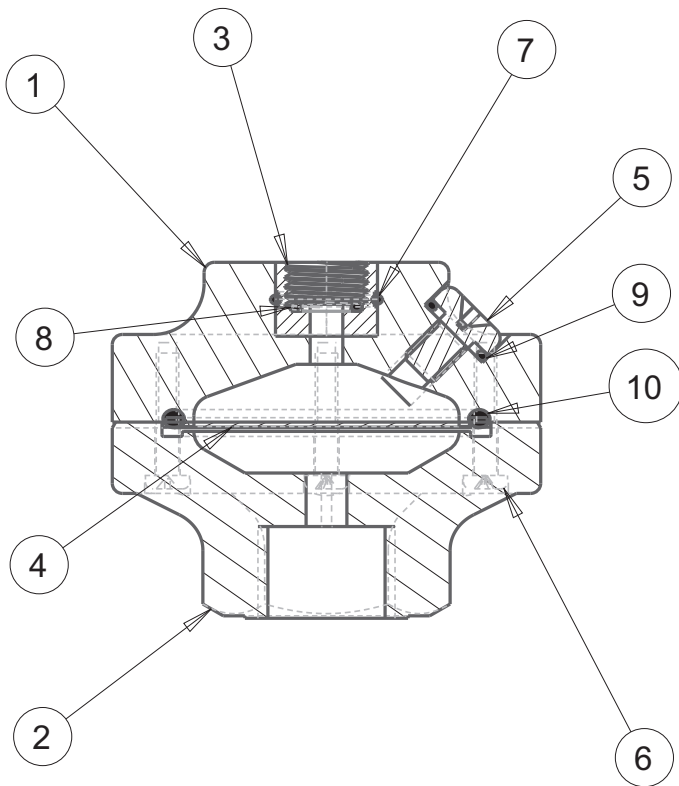


GAUGE GUARD FILL PORT



ITEM	QTY.	DESCRIPTION	MATERIAL
1	1	UPPER HOUSING	PVC
2	1	LOWER HOUSING	PVC
3	1	THREADED INSERT	SS
4	1	DIAPHRAGM	VITON
5	1	PAN HEAD SCREW	SS
6	6	PAN HEAD SCREWS	SS
7	1	O-RING	VITON
8	1	O-RING	VITON
9	1	O-RING	VITON
10	1	O-RING	VITON

