

EXPRESS COOLING STICKS

Supply and Return Sticks designed in the most popular configuration for rapid construction

By eliminating extra bushings, pipe nipples, tees -- and the extra joints -- the Plast-O-Matic Express Cooling Water Stick tests 1300% stronger than a typical contractor installation.



SUPERIOR FEATURES

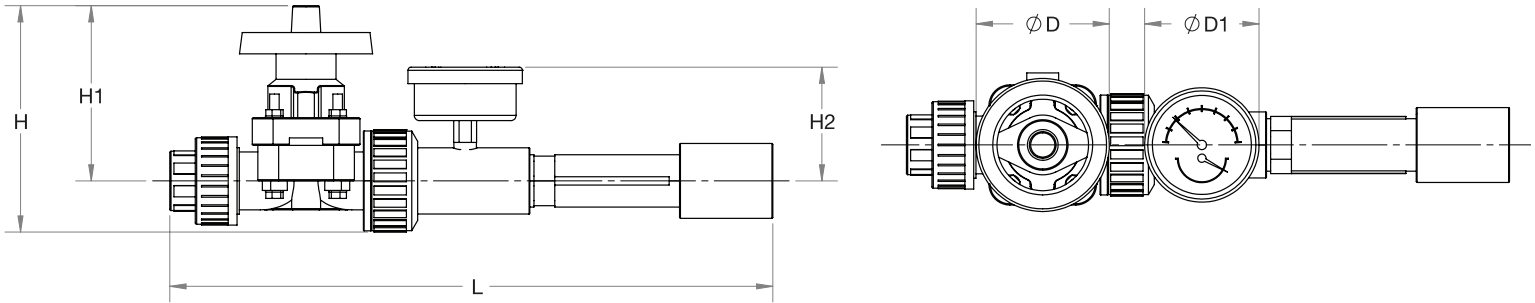
- ½" through 2" pipe sizes
- All sticks are reinforced to minimize possibility of damage
- Socket end connectors, PVC and EPDM standard
- Wetted metals on gauge (brass) and flow meter (T300 Stainless)
- All units built in USA and individually tested

Supply Stick: Premium pressure regulator, pressure gauge, and quarter-turn True Blue trunion ball valve in a compact, rugged design. Pressure regulator offers set pressure range from 5 to 125 psi. [Return](#)

Stick: Diaphragm valve, pressure and temperature gauge, and in-line flow meter with visual indicators in a small footprint stick. Gauge face and flow meter are aligned for quick, at-a-glance reading. Flow meter range must be specified.

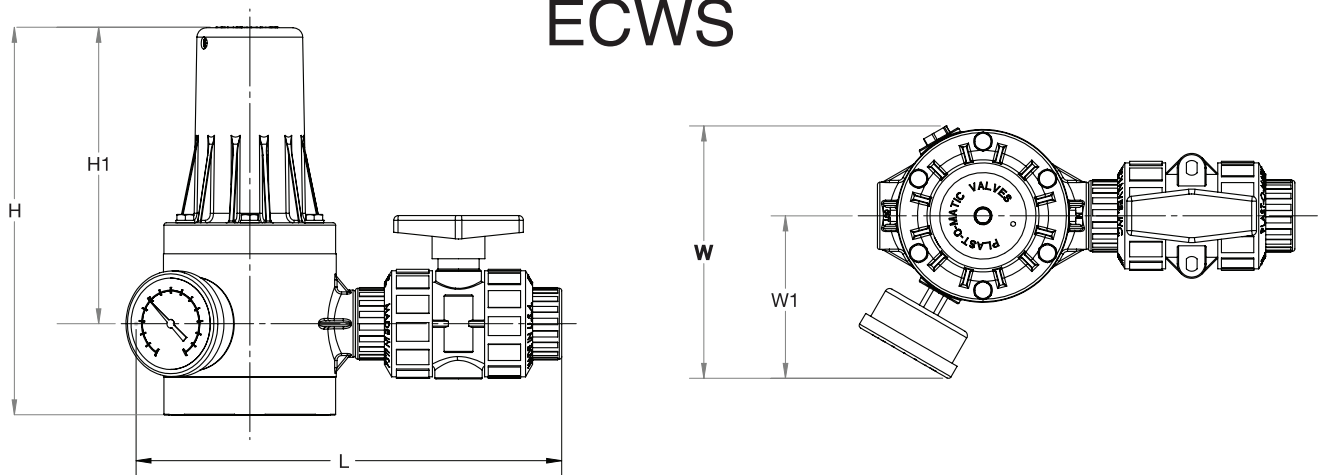
For alternate configurations, please refer to PCW Series

ECWR



MODEL	SIZE	L		H		H1		H2		Ø D		Ø D1	
	IN.	IN.	MM.	IN.	MM.	IN.	MM.	IN.	MM.	IN.	MM.	IN.	MM.
ECWR050XX-X-PV	1/2"	14.4	366	5.1	129	3.9	98	2.7	69	3.2	81	2.8	70
ECWR075XX-X-PV	3/4"	14.5	368	5.4	138	4.2	107	2.7	69	3.2	81	2.8	70
ECWR100XX-X-PV	1"	15.3	388	5.9	150	4.6	118	2.8	71	3.5	90	2.8	70
ECWR150XX-X-PV	1-1/2"	23.7	601	7.5	190	5.5	139	3.1	79	4.6	118	2.8	70
ECWR200XX-X-PV	2"	24.1	612	9.2	234	7.2	184	3.3	84	5.5	140	2.8	70

ECWS



MODEL	SIZE	L		H		H1		W		W1	
	IN.	IN.	MM.	IN.	MM.	IN.	MM.	IN.	MM.	IN.	MM.
ECWS050XX-PV	1/2"	7.3	185	8.8	222	6.6	169	5.0	127	3.3	84
ECWS075XX-PV	3/4"	10.7	271	10.1	256	7.7	196	6.6	167	4.2	107
ECWS100XX-PV	1"	11.1	282	10.1	256	7.7	196	6.6	167	4.2	107
ECWS150XX-PV	1-1/2"	13.1	334	11.9	303	8.9	227	6.9	174	4.4	111
ECWS200XX-PV	2"	14.5	368	11.9	302	8.9	227	6.9	174	4.4	111

Return Side – Manual Diaphragm Valve, Pressure/Temperature Indicator, Flowmeter

Pipe Size	PVC	Flow Meter
1/2"	ECWR050EPS-X-PV	\$ 677
3/4"	ECWR075EPS-X-PV	\$ 686
1"	ECWR100EPS-X-PV	\$ 698
1 1/2"	ECWR150EPS-X-PV	\$1022
2"	ECWR200EPS-X-PV	\$1069

Flow Meter	Flow Meter	Sizes
A – 0.5-4 GPM	} 1/2" - 1"	Sizes
B – 1.0-7 GPM		
C – 1.0-10 GPM		
D – 3.0-16 GPM		
F – 4.0-28 GPM		
G – 2.0-25 GPM		
H – 5.0-50 GPM		
I – 7.0-75 GPM		

Model number shown with EPDM seals, socket connection.
NOTE: Must replace "X" with letter indicating Flow Meter range from chart.

Supply Side – PRHM Pressure Regulator, MBV Ball Valve, Stainless Steel Pressure Gauge

Pipe Size	PVC
1/2"	ECWS050EPS-PV \$ 730
3/4"	ECWS075EPS-PV \$ 995
1"	ECWS100EPS-PV \$1136
1 1/2"	ECWS150EPS-PV \$1304
2"	ECWS200EPS-PV \$1569

Model number shown with EPDM seals, socket connection. 0-100 PSI
 Plast-O-Matic Pressure Gauge is center back mounted to regulator.