

### HIGH PERFORMANCE 4" PVC PRESSURE REGULATOR 10-125 PSI SET PRESSURE RANGE / 150 PSI MAXIMUM INLET



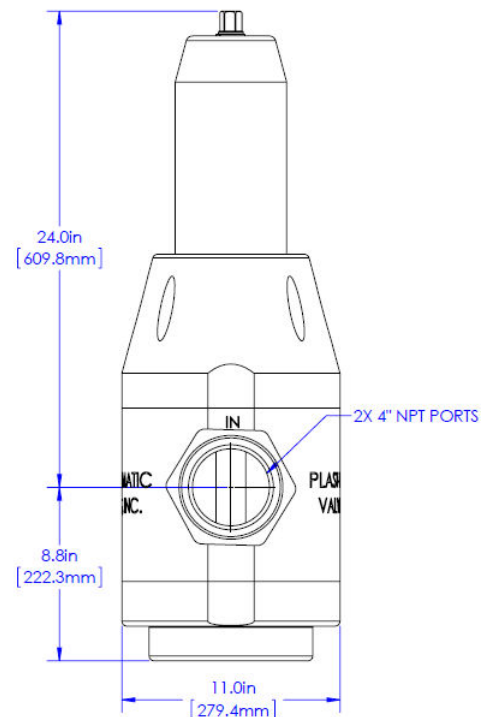
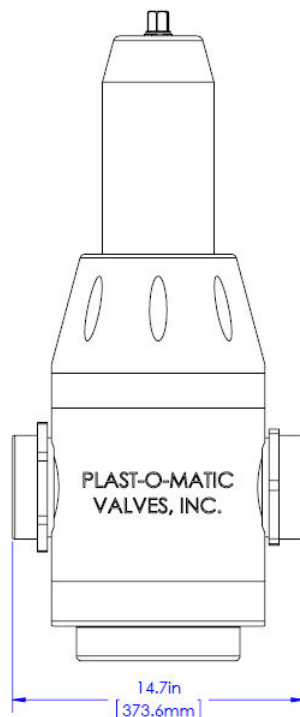
#### Features

- Balanced shaft provides smooth, non-stick operation; assures reliable service for millions of cycles.
- Large surface area of the frictionless diaphragm provides exceptional sensitivity.
- Double u-cups prevent leakage along the shaft and eliminate the possibility of "creep".
- Designed for low maintenance and easy to adjust.
- High capacity, heavy-duty design.

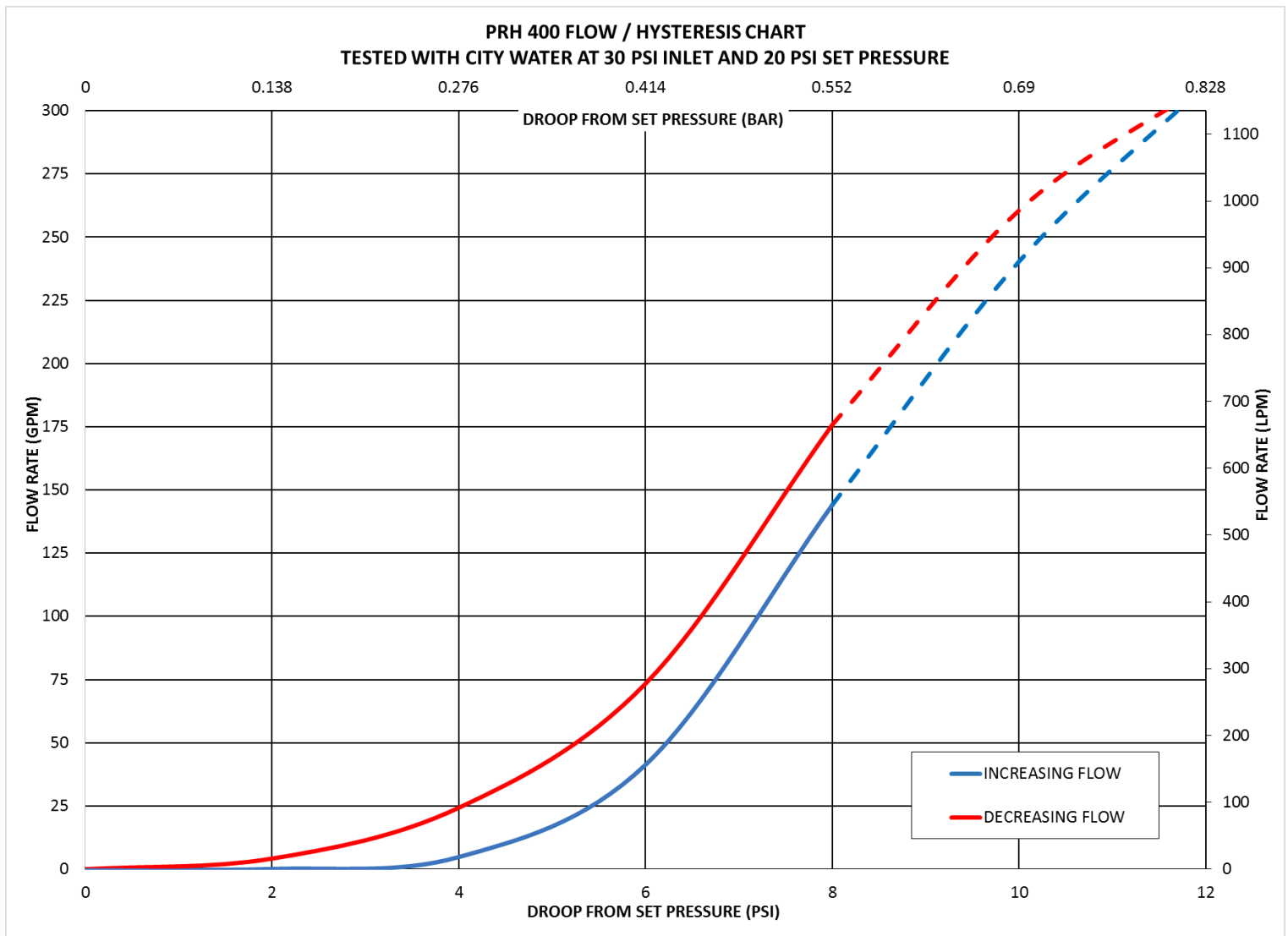
#### Ordering Notes

4" size custom built to order; please contact factory for lead times. Valve is shipped on a pallet via common carrier. Valve installation requires additional caution and support commensurate with safe engineering practices. Standard NPT connections have an external (non-wetted) stainless steel reinforcement; for flanges and other connections contact factory.

PVC/Viton Model Number: PRH400V-PV  
PVC/EPDM Model Number: PRH400EP-PV



## High Performance 4" PVC Pressure Regulator 10-125 PSI Set Pressure Range / 150 PSI Maximum Inlet



NOTE: Dashed lines in curves above exceed the recommended maximum flow rate of 5 feet per second for thermoplastic piping.