

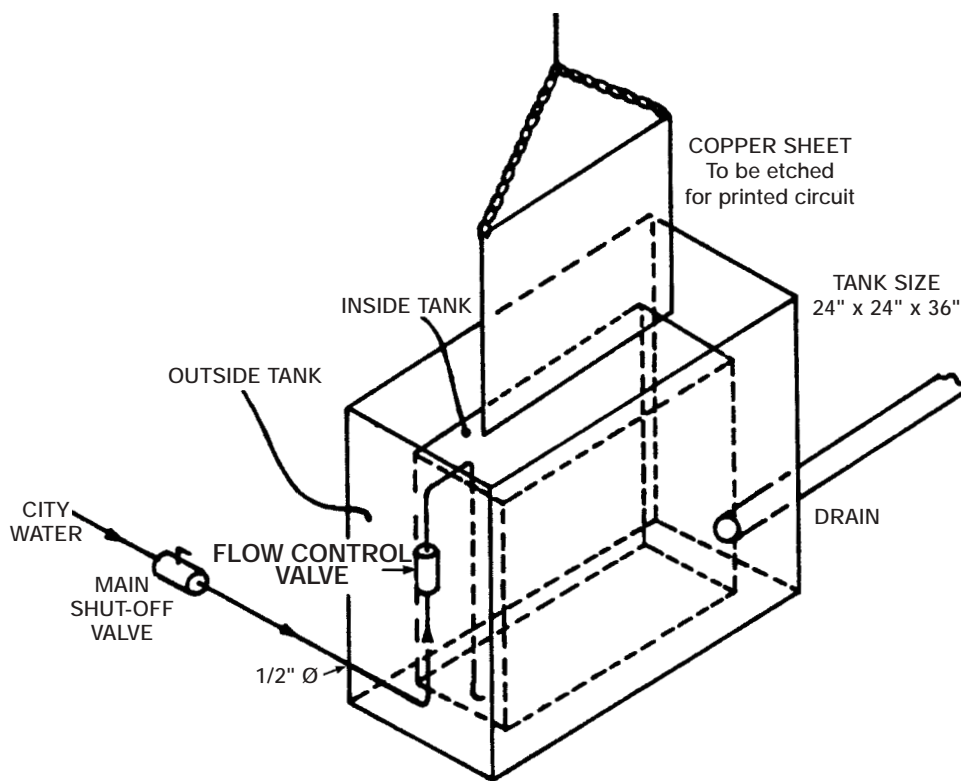
MARKET Printed Circuit Board Manufacturers

PRODUCT(S) Flow Control Valves FC050-1/2, 3/4, 1, 1 1/2-PV

REQUIREMENT To provide accurate flow rates for continual recirculation of rinse water.

PROCESS FLUID(S) City Water

INLET PRESSURE/TEMPERATURE 40/60 PSI 65°/85°F



Following the etching of printed circuit (PC) boards, each one must be rinsed with water to remove excess copper. Prior to installing Series FC Flow Control Valves an excessive amount of city water was being consumed. To resolve this problem and conserve on water costs, customer evaluated

each tank's volume, times number of rinse cycles and determined which Flow Control to use for each tank. This location has 28 tanks in line; 14 using Flow Control, the other 14 containing various chemical etchants. All Flow Control Valves are of 1/2" pipe size, with flow rates of 1/2, 3/4, 1, and 1 1/2 GPM.