

SERIES SW • Limit Switches

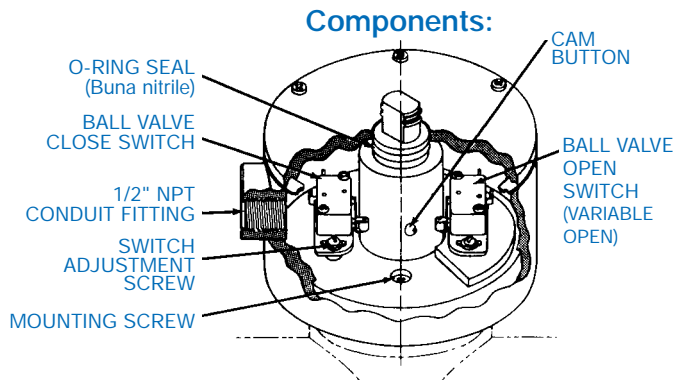
Features:

- NEMA 4 type housing.
- Plastic construction eliminates atmospheric corrosion.
- Adjustable to any limited open position.
- Manual override valve.

Series SW signals the open or closed valve position for computer verification or to actuate other equipment based on the valve position. Body material is PVC, seals are Buna-N, and the assembly fasteners are stainless steel. The lightweight housing is water and dust-tight with NEMA 4 type design.

The Limit Switch has a camshaft and two single-pole double throw switches. A signal line is wired "through" the switch to the equipment or computer being signaled. A 1/2" NPT conduit fitting seals the wiring connection. AC resistive load rating is 10 amps for each contact. DC loads are rated for 60W (5A at 12 VDC, 2.5A at 24 VDC).

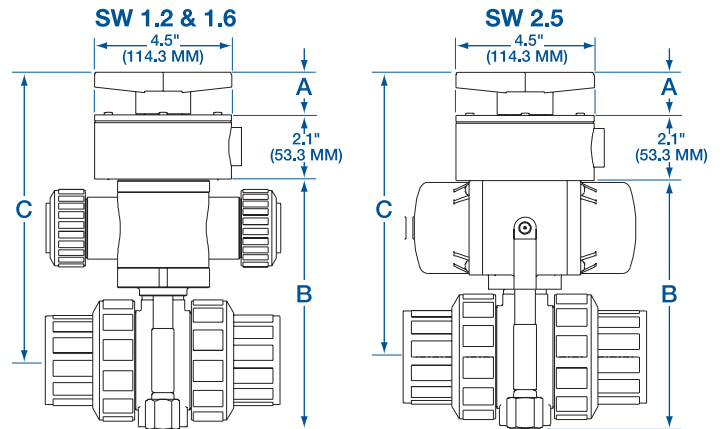
The switches make contact when the valve is either open or closed. The open position of the True Blue Ball Valve is adjustable for throttling by using the optional Series LS Limit Stop.



Series SW Limit Switch is also adjustable to accommodate the throttle open position.

Mounting:

The limit switch is simply mounted to the actuator by two (2) screws. These screws are sealed inside the unit.

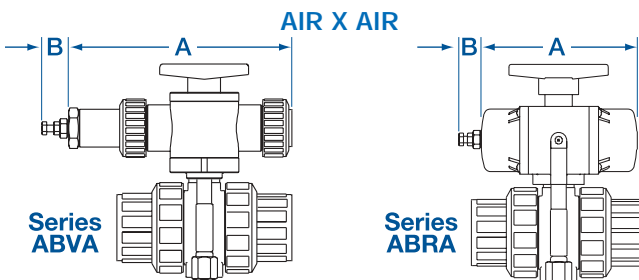


DIMENSIONS							
Accessory	Ball Valve Size	A		B		C	
		IN	MM	IN	MM	IN	MM
SW1.2	1/2	0.9	22.9	6.7	170.2	4.9	124.5
SW1.6	3/4	1.2	30.5	8.0	203.2	5.9	149.9
SW1.6	1	1.2	30.5	8.3	210.8	6.2	157.5
SW2.5	1 1/4, 1 1/2, & 2	1.4	35.6	8.0	203.2	9.3	236.2

SERIES LS • Limit Stops

Limit Stops maintain desired flow capacity for air actuated ball valves.

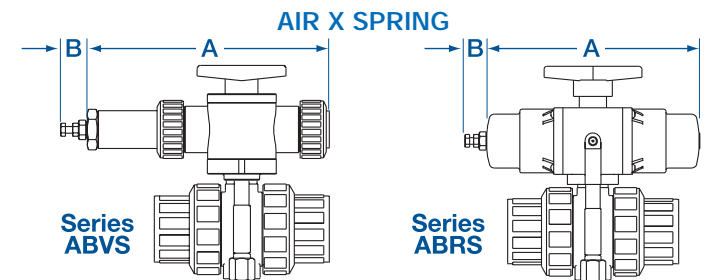
A True-Blue air actuated ball valve with a limit stop can be set to maintain any desired flow from virtually closed, up to full capacity of the valve. Two (2) types are available, one for air x air actuators (ABVA & ABRA) and one for air x spring "fail-safe" actuators (ABVS & ABRs).



Accessory	Ball Valve Size	A		B (max.)	
		IN.	MM	IN.	MM
ABVA-LS1.2	1/2"	6.55	166.4	1.70	17.8
ABVA-LS1.6	3/4" & 1"	8.35	212.1	2.50	63.5
ABRA-LS2.5	1 1/4", 1 1/2" & 2"	6.75	171.0	2.00	50.8

*NOTE: For other assembly dimensions, see Actuator page.

A simple stainless steel adjusting screw is used to limit the stroke of the air actuator piston. Turning the adjusting screw clockwise limits the opening of the ball valve. A Limit Stop can also be used with a Limit Switch for throttling.



Accessory	Ball Valve Size	A		B (max.)	
		IN.	MM	IN.	MM
ABVS-LS1.2	1/2"	8.45	214.6	1.80	45.7
ABVS-LS1.6	3/4" & 1"	10.25	260.4	2.25	57.2
ABRS-LS2.5	1 1/4", 1 1/2" & 2"	9.87	250.0	2.13	54.0

*NOTE: For other assembly dimensions, see Actuator page.