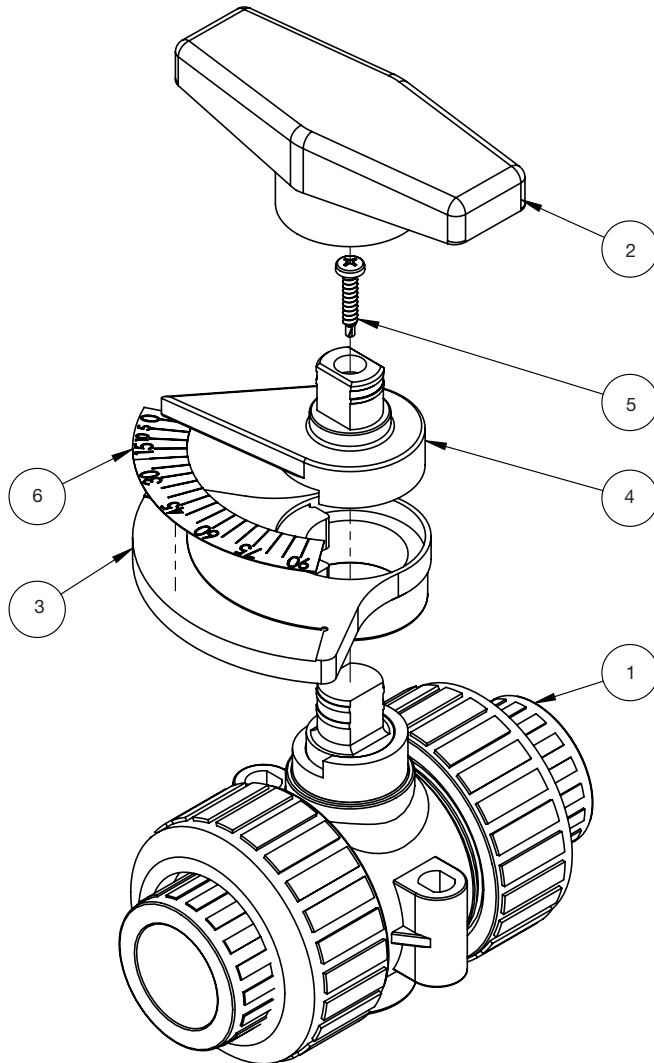


METERING MANUAL BALL VALVE



ASSEMBLY INSTRUCTIONS:

- If field retrofit, remove handle (item #2) from ball valve.
- First, with handle removed from valve, place the metering base (item #3) over the valve shaft and press down until it snaps onto ball valve shoulder.
- Second, align and press the metering pointer (item #4) onto the valve shaft. Screw the self-tapping fastener (item #5) through the hole on top of the metering pointer, firmly into the MBV shaft to secure the metering pointer.
- Finally, press the valve handle onto the metering pointer.
- The pointer will now indicate position of the ball. The valve begins to open at or near 15°, and is fully open at 90°. Adjust the handle to open/close the valve to increase/decrease the flow required.

ITEM NO.	DESCRIPTION	QTY.
1	BALL VALVE	1
2	MBV HANDLE	1
3	METERING BASE	1
4	METERING POINTER	1
5	SELF-TAPPING SCREW, PAN HEAD, #6 X 3/4"	1
6	METERING SCALE LABEL	1