

## EXPRESS COOLING STICKS

Supply and Return Sticks designed in the most popular configuration for rapid construction

By eliminating extra bushings, pipe nipples, tees – and the extra joints – the Plast-O-Matic Express Cooling Water Stick tests 1300% stronger than a typical contractor installation



APPEARANCE VARIES BY SIZE.

### SUPERIOR FEATURES

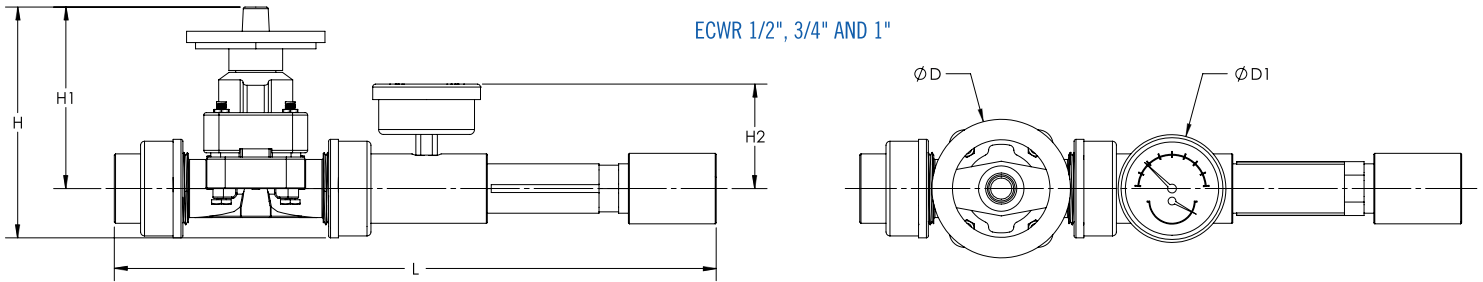
- ½" through 2" pipe sizes
- All sticks are reinforced to minimize possibility of damage
- Socket end connectors, PVC and EPDM standard
- Wetted metals on gauge or tridicator, and flow meter (stainless steel)
- All units built in USA and individually tested

**Supply Stick:** Premium pressure regulator, pressure gauge or tridicator, and quarter-turn trunnion design ball valve in a compact, rugged design. Pressure regulator offers set pressure range from 5 to 125 psi.

**Return Stick:** Diaphragm valve, pressure and temperature gauge, and in-line flow meter with visual indicators in a small footprint stick. Gauge face and flow meter are aligned for quick, at-a-glance reading. Flow meter range must be specified. Note that 1½" and 2" sizes have union nut connections to improve alignment and serviceability. For alternate configurations, please refer to PCW Series.

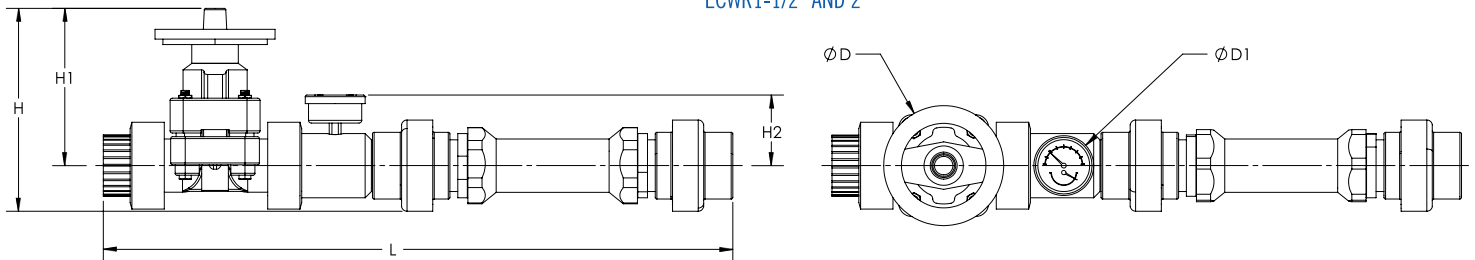
### ECWR

ECWR 1/2", 3/4" AND 1"



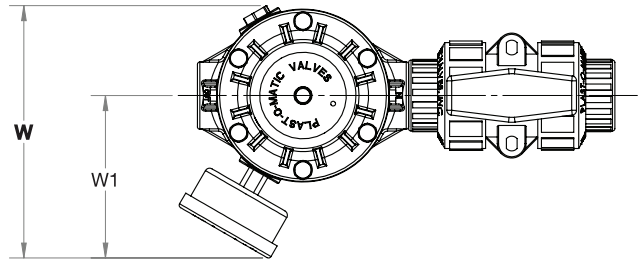
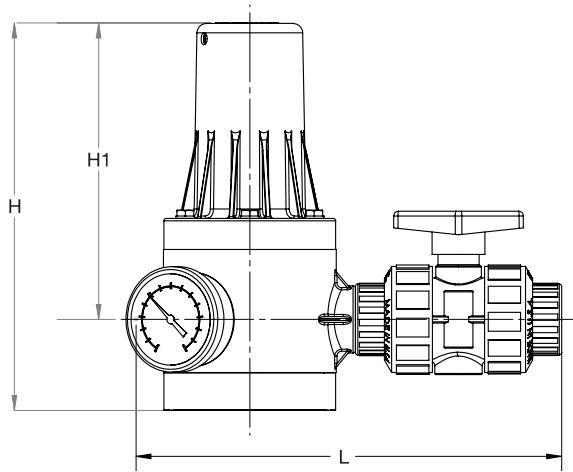
MODEL	SIZE	L		H		H1		H2		Ø D		Ø D1	
	IN.	IN.	MM.	IN.	MM.	IN.	MM.	IN.	MM.	IN.	MM.	IN.	MM.
ECWR050XX-X-PV	1/2	15.3	388	5.9	150	4.6	118	2.8	71	3.5	90	2.8	70
ECWR075XX-X-PV	3/4	15.3	388	5.9	150	4.6	118	2.8	71	3.5	90	2.8	70
ECWR100XX-X-PV	1	15.3	388	5.9	150	4.6	118	2.8	71	3.5	90	2.8	70
ECWR150XX-X-PV	1-1/2	28.5	724	7.6	193	5.5	139	3.3	84	4.6	118	2.8	70
ECWR200XX-X-PV	2	28.9	734	9.3	237	7.2	184	3.2	82	5.5	140	2.8	70

ECWR1-1/2" AND 2"



**Note:** All dimensions on the 1/2" and 3/4" ECWR assemblies were changed on 4/14/2022.  
Dimension "L" changed on 1 1/2" model from 23.7/601 and on 2" model from 24.1/612 on 10/5/2020.

### ECWS



MODEL	SIZE		L		H		H1		W		W1	
	IN.	IN.	MM.	MM.	IN.	MM.	IN.	MM.	IN.	MM.	IN.	MM.
ECWS050XX-PV	1/2"	7.3	185	8.8	222	6.6	169	5.0	127	3.3	84	
ECWS075XX-PV	3/4"	10.7	271	10.1	256	7.7	196	6.6	167	4.2	107	
ECWS100XX-PV	1"	11.1	282	10.1	256	7.7	196	6.6	167	4.2	107	
ECWS150XX-PV	1-1/2"	13.1	334	11.9	303	8.9	227	6.9	174	4.4	111	
ECWS200XX-PV	2"	14.5	368	11.9	302	8.9	227	6.9	174	4.4	111	

## ORDERING INFO

Return Side – Manual Diaphragm Valve, Pressure/Temperature Tridicator, Flowmeter

Pipe Size	PVC	Flow Meter
1/2"	ECWR050EPS-X-PV	A – 0.5-4 GPM
3/4"	ECWR075EPS-X-PV	B – 1.0-7 GPM
1"	ECWR100EPS-X-PV	C – 1.0-10 GPM
1 1/2"	ECWR150EPS-X-PV	D – 3.0-16 GPM
2"	ECWR200EPS-X-PV	F – 4.0-28 GPM

1/2" - 1" Sizes

Model number shown with EPDM seals, socket connection.

NOTE: Must replace "X" with letter indicating Flow Meter range from chart.

G – 2.0-25 GPM	1 1/2" - 2" Sizes
H – 5.0-50 GPM	
I – 7.0-75 GPM	

Supply Side – PRHM Pressure Regulator, MBV Ball Valve, Pressure Gauge or Tridicator

Pipe Size	PVC w/ Pressure Gauge	PVC w/ Tridicator
1/2"	ECWS050EPS-PV	ECWST050EPS-PV
3/4"	ECWS075EPS-PV	ECWST075EPS-PV
1"	ECWS100EPS-PV	ECWST100EPS-PV
1 1/2"	ECWS150EPS-PV	ECWST150EPS-PV
2"	ECWS200EPS-PV	ECWST200EPS-PV

Model number shown with EPDM seals, socket connection. 0-100 PSI Plast-O-Matic Pressure Gauge is center back mounted to regulator.

